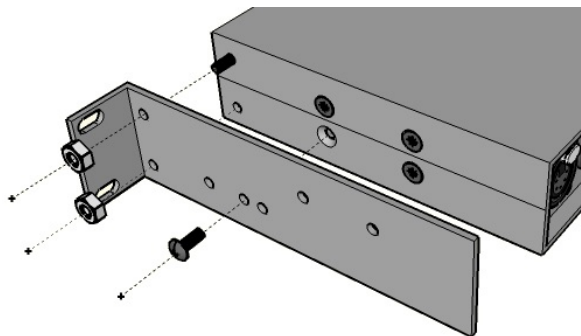
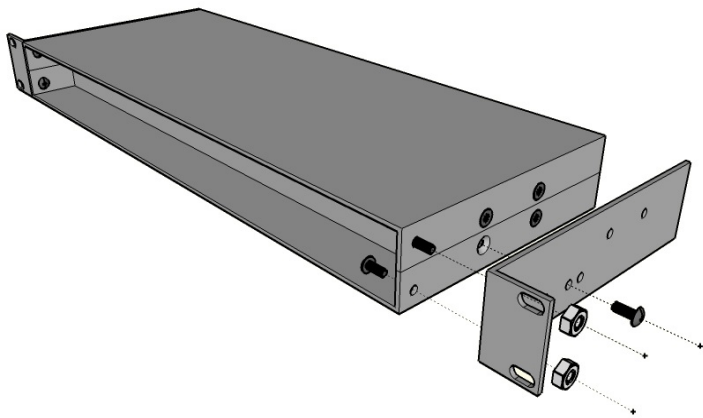


DOUG FLEENOR DESIGN

(805) 481-9599

Model RK16-1 Rack Mount Kit for 16.5" *Stepladder Series* Chassis

Description: This Rack Mount Kit adapts products that use the 16.5" *Stepladder Series* Chassis to a standard 19" rack. These products include the model 121Q, 1211 and Rerun-R1 through Rerun-R4.



Parts: (2) ENRE1S 1.25" rack ear
 *(7) HDS100500TB 10-32 x 1/2 truss head screw
 *(5) HDN10K 10-32 keps nut

Doug Fleenor Design, Inc.

396 Corbett Canyon Road
Arroyo Grande, CA 93420
(805) 481-9599 *voice and FAX*
(888) 4-DMX512 *toll free*
www.dfd.com

*An extra screw and nut are provided in case one is "lost in the carpet" during assembly.